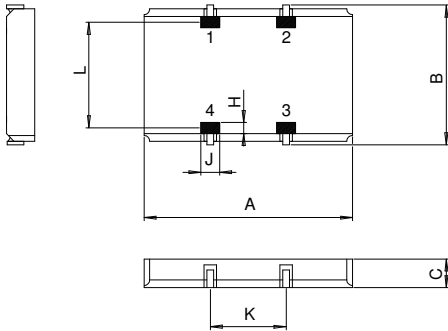


Package dimension without J/L:



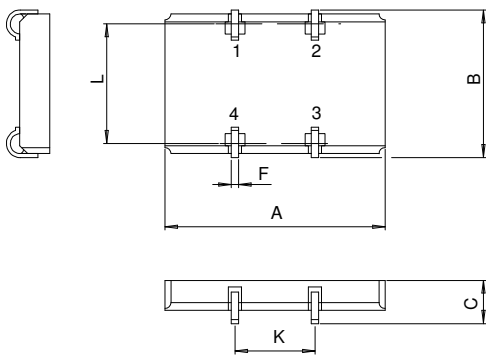
Dimensions (max.):

	In.	mm
A	0.55	14.1
B	0.36	9.3
C	0.10	2.4
H	0.05	1.3
J	0.05	1.3
K	0.20	5.1
L	0.29	7.3

Pin Out:

1	Option: Enable/Disable
2	GND
3	Output
4	Vcc

Package dimension with J/L (Option 1):



Dimensions (max.):

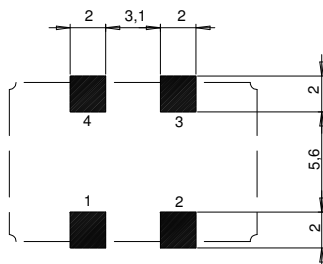
	In.	mm
A	0.55	14.1
B	0.36	9.3
C	0.15	3.8
F	0.02	0.5
K	0.2	5.1
L	0.3	7.8

Pin Out:

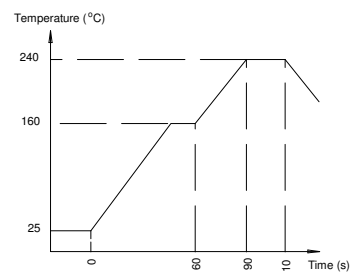
1	Option: Enable/Disable
2	GND
3	Output
4	Vcc

Recommended solder pad layout & soldering conditions:

Solder pad layout



Soldering conditions



DATE: October 2009 Revision No.: 3

Page 1/2

**In accordance with our policy of continuous development and improvement,
we reserve the right to modify the design or the specifications of our products without prior notice.**

Headquarters: Micro Crystal AG
Mühlestrasse 14
CH-2540 Grenchen
Switzerland

Tel. +41 32 655 82 82
Fax +41 32 655 80 90
Internet www.microcrystal.ch
Email sales@microcrystal.ch

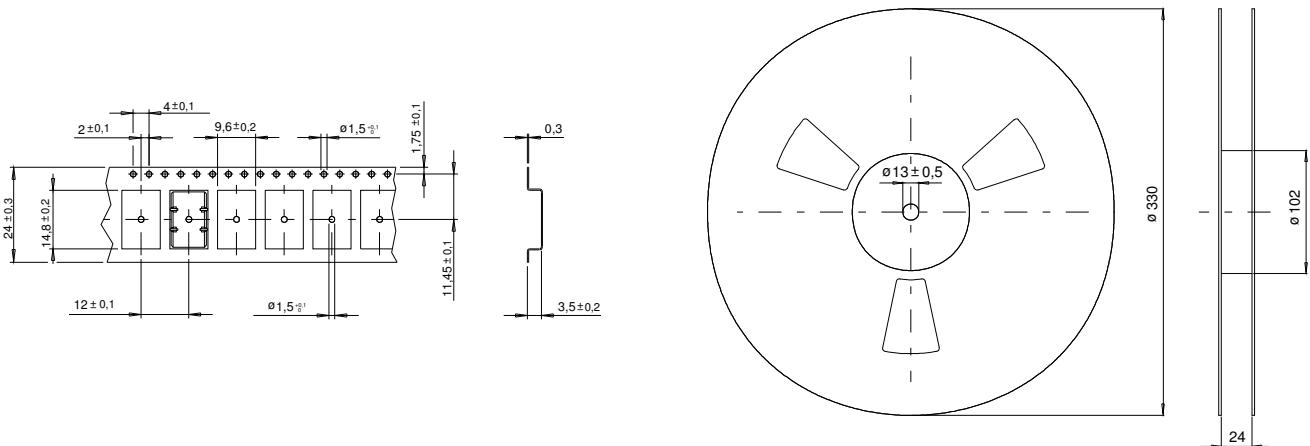
SHIPMENT METHOD:

Normal package:

MCSO's are packed in antistatic mold plates. A mold plate contains 50 pieces of MCSO and the dimensions are 135 x 96 x 11mm (5.31 x 3.77 x 0.43 inches).

Tape & Reel:

MCSO's can be delivered in tape & reel. The minimum shipment quantity is 250pcs.



DATE:	October 2009	Revision No.: 3
-------	--------------	-----------------

In accordance with our policy of continuous development and improvement, we reserve the right to modify the design or the specifications of our products without prior notice.

Headquarters: Micro Crystal AG
Mühlestrasse 14
CH-2540 Grenchen
Switzerland

Tel. +41 32 655 82 82
Fax +41 32 655 80 90
Internet www.microcrystal.ch
Email sales@microcrystal.ch